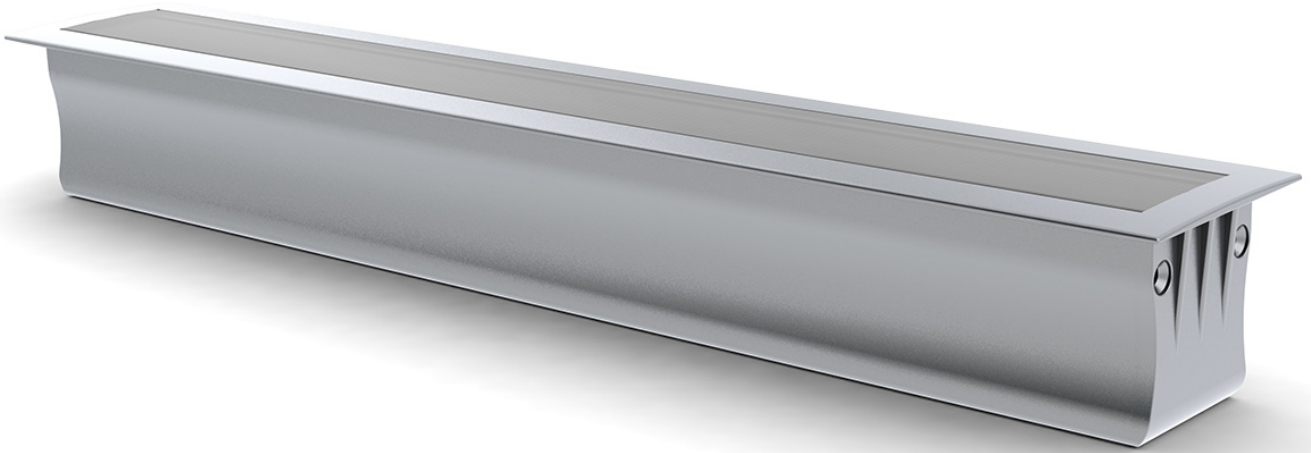


XR25

RECESSED



MONOLINE-XR25

A recess mounted linear LED luminaire manufactured from extruded anodised aluminium, with opal polycarbonate diffuser.

Each PCB module has an on-board Integrated Controller (IC), for precise constant current control, whilst a Schottky diode provides reverse polarity protection.

A range of LED options are available with a choice of Nichia, Osram or Lumileds LED, with colour temperatures from 2000K - 6500K and power outputs from 4.8W/m - 24.0W/m.

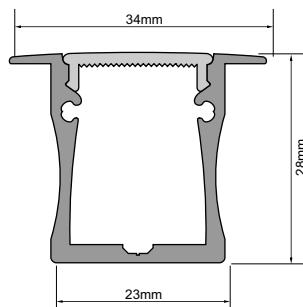
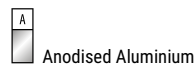
Available in four standard lengths: 450mm, 950mm, 1450mm & 1950mm, which can be cut at 62.5mm intervals. Custom sizes also available upon request.



TECHNICAL

Input voltage:	24VDC [22.5~25VDC]
Current control:	On-board integrated controller (IC)
Reverse voltage protection:	On-board Schottky diode
Operating temperature (Ta):	-35 °C ~ 50 °C
PCB Temperature (Tc max):	<75 °C
Dimmable:	PWM (0/1-10V, DALI, DMX, TRIAC, ELV)
Ingress protection:	IP40

FINISH



XR25

RECESSED

PRODUCT CODE EXAMPLE

PROFILE	DIFFUSER	PCB	WATTAGE	SPECTRUM	LENGTH
XR25	OC	D112	9	D3-827	L4

SPECIFICATION

Profile	Diffuser	PCB	Wattage	Spectrum	Standard Lengths																																																																						
	OC Opal	D112	<table border="1"> <tr><td>4</td><td>4.8w/m</td></tr> <tr><td>9</td><td>9.6w/m</td></tr> <tr><td>14</td><td>14.4w/m</td></tr> <tr><td>19</td><td>19.2w/m</td></tr> <tr><td>24</td><td>24.0w/m</td></tr> </table>	4	4.8w/m	9	9.6w/m	14	14.4w/m	19	19.2w/m	24	24.0w/m	<table border="1"> <tr><td>D3-827</td><td>Osram</td><td>2700K ≥Ra80</td></tr> <tr><td>D3-927</td><td>Lumileds</td><td>2700K ≥Ra90</td></tr> <tr><td>D3-830</td><td>Osram</td><td>3000K ≥Ra80</td></tr> <tr><td>D3-930</td><td>Lumileds</td><td>3000K ≥Ra90</td></tr> <tr><td>D3-835</td><td>Osram</td><td>3500K ≥Ra80</td></tr> <tr><td>D3-935</td><td>Lumileds</td><td>3500K ≥Ra90</td></tr> <tr><td>D3-840</td><td>Osram</td><td>4000K ≥Ra80</td></tr> <tr><td>D3-940</td><td>Lumileds</td><td>4000K ≥Ra90</td></tr> <tr><td>D3-850</td><td>Osram</td><td>5000K ≥Ra80</td></tr> <tr><td>D3-950</td><td>Lumileds</td><td>5000K ≥Ra90</td></tr> <tr><td>D3-857</td><td>Osram</td><td>5700K ≥Ra80</td></tr> <tr><td>D3-957</td><td>Lumileds</td><td>5700K ≥Ra90</td></tr> <tr><td>D3-865</td><td>Osram</td><td>6500K ≥Ra80</td></tr> <tr><td>D3-965</td><td>Lumileds</td><td>6500K ≥Ra90</td></tr> </table>	D3-827	Osram	2700K ≥Ra80	D3-927	Lumileds	2700K ≥Ra90	D3-830	Osram	3000K ≥Ra80	D3-930	Lumileds	3000K ≥Ra90	D3-835	Osram	3500K ≥Ra80	D3-935	Lumileds	3500K ≥Ra90	D3-840	Osram	4000K ≥Ra80	D3-940	Lumileds	4000K ≥Ra90	D3-850	Osram	5000K ≥Ra80	D3-950	Lumileds	5000K ≥Ra90	D3-857	Osram	5700K ≥Ra80	D3-957	Lumileds	5700K ≥Ra90	D3-865	Osram	6500K ≥Ra80	D3-965	Lumileds	6500K ≥Ra90	<table border="1"> <tr><td>L1</td><td>450mm</td></tr> <tr><td>L2</td><td>950mm</td></tr> <tr><td>L3</td><td>1450mm</td></tr> <tr><td>L4</td><td>1950mm</td></tr> </table> <p>Cutttable at 62.5mm intervals</p>	L1	450mm	L2	950mm	L3	1450mm	L4	1950mm										
4	4.8w/m																																																																										
9	9.6w/m																																																																										
14	14.4w/m																																																																										
19	19.2w/m																																																																										
24	24.0w/m																																																																										
D3-827	Osram	2700K ≥Ra80																																																																									
D3-927	Lumileds	2700K ≥Ra90																																																																									
D3-830	Osram	3000K ≥Ra80																																																																									
D3-930	Lumileds	3000K ≥Ra90																																																																									
D3-835	Osram	3500K ≥Ra80																																																																									
D3-935	Lumileds	3500K ≥Ra90																																																																									
D3-840	Osram	4000K ≥Ra80																																																																									
D3-940	Lumileds	4000K ≥Ra90																																																																									
D3-850	Osram	5000K ≥Ra80																																																																									
D3-950	Lumileds	5000K ≥Ra90																																																																									
D3-857	Osram	5700K ≥Ra80																																																																									
D3-957	Lumileds	5700K ≥Ra90																																																																									
D3-865	Osram	6500K ≥Ra80																																																																									
D3-965	Lumileds	6500K ≥Ra90																																																																									
L1	450mm																																																																										
L2	950mm																																																																										
L3	1450mm																																																																										
L4	1950mm																																																																										
		N112	<table border="1"> <tr><td>4</td><td>4.8w/m</td></tr> <tr><td>9</td><td>9.6w/m</td></tr> <tr><td>14</td><td>14.4w/m</td></tr> <tr><td>19</td><td>19.2w/m</td></tr> <tr><td>24</td><td>24.0w/m</td></tr> </table>	4	4.8w/m	9	9.6w/m	14	14.4w/m	19	19.2w/m	24	24.0w/m	<table border="1"> <tr><td>N3-820</td><td>Nichia</td><td>4000K ≥Ra90</td></tr> <tr><td>N3-920</td><td>Nichia</td><td>4000K ≥Ra90</td></tr> <tr><td>N3-822</td><td>Nichia</td><td>2200K ≥Ra80</td></tr> <tr><td>N3-922</td><td>Nichia</td><td>2200K ≥Ra90</td></tr> <tr><td>N3-825</td><td>Nichia</td><td>2500K ≥Ra80</td></tr> <tr><td>N3-925</td><td>Nichia</td><td>2500K ≥Ra90</td></tr> <tr><td>N3-827</td><td>Nichia</td><td>2700K ≥Ra80</td></tr> <tr><td>N3-927</td><td>Nichia</td><td>2700K ≥Ra90</td></tr> <tr><td>N3-830</td><td>Nichia</td><td>3000K ≥Ra80</td></tr> <tr><td>N3-930</td><td>Nichia</td><td>3000K ≥Ra90</td></tr> <tr><td>N3-835</td><td>Nichia</td><td>3500K ≥Ra80</td></tr> <tr><td>N3-935</td><td>Nichia</td><td>3500K ≥Ra90</td></tr> <tr><td>N3-840</td><td>Nichia</td><td>4000K ≥Ra80</td></tr> <tr><td>N3-940</td><td>Nichia</td><td>4000K ≥Ra90</td></tr> <tr><td>N3-850</td><td>Nichia</td><td>5000K ≥Ra80</td></tr> <tr><td>N3-950</td><td>Nichia</td><td>5000K ≥Ra90</td></tr> <tr><td>N3-857</td><td>Nichia</td><td>5700K ≥Ra80</td></tr> <tr><td>N3-957</td><td>Nichia</td><td>5700K ≥Ra90</td></tr> <tr><td>N3-865</td><td>Nichia</td><td>6500K ≥Ra80</td></tr> <tr><td>N3-965</td><td>Nichia</td><td>6500K ≥Ra90</td></tr> </table>	N3-820	Nichia	4000K ≥Ra90	N3-920	Nichia	4000K ≥Ra90	N3-822	Nichia	2200K ≥Ra80	N3-922	Nichia	2200K ≥Ra90	N3-825	Nichia	2500K ≥Ra80	N3-925	Nichia	2500K ≥Ra90	N3-827	Nichia	2700K ≥Ra80	N3-927	Nichia	2700K ≥Ra90	N3-830	Nichia	3000K ≥Ra80	N3-930	Nichia	3000K ≥Ra90	N3-835	Nichia	3500K ≥Ra80	N3-935	Nichia	3500K ≥Ra90	N3-840	Nichia	4000K ≥Ra80	N3-940	Nichia	4000K ≥Ra90	N3-850	Nichia	5000K ≥Ra80	N3-950	Nichia	5000K ≥Ra90	N3-857	Nichia	5700K ≥Ra80	N3-957	Nichia	5700K ≥Ra90	N3-865	Nichia	6500K ≥Ra80	N3-965	Nichia	6500K ≥Ra90	
4	4.8w/m																																																																										
9	9.6w/m																																																																										
14	14.4w/m																																																																										
19	19.2w/m																																																																										
24	24.0w/m																																																																										
N3-820	Nichia	4000K ≥Ra90																																																																									
N3-920	Nichia	4000K ≥Ra90																																																																									
N3-822	Nichia	2200K ≥Ra80																																																																									
N3-922	Nichia	2200K ≥Ra90																																																																									
N3-825	Nichia	2500K ≥Ra80																																																																									
N3-925	Nichia	2500K ≥Ra90																																																																									
N3-827	Nichia	2700K ≥Ra80																																																																									
N3-927	Nichia	2700K ≥Ra90																																																																									
N3-830	Nichia	3000K ≥Ra80																																																																									
N3-930	Nichia	3000K ≥Ra90																																																																									
N3-835	Nichia	3500K ≥Ra80																																																																									
N3-935	Nichia	3500K ≥Ra90																																																																									
N3-840	Nichia	4000K ≥Ra80																																																																									
N3-940	Nichia	4000K ≥Ra90																																																																									
N3-850	Nichia	5000K ≥Ra80																																																																									
N3-950	Nichia	5000K ≥Ra90																																																																									
N3-857	Nichia	5700K ≥Ra80																																																																									
N3-957	Nichia	5700K ≥Ra90																																																																									
N3-865	Nichia	6500K ≥Ra80																																																																									
N3-965	Nichia	6500K ≥Ra90																																																																									

Other colour temperatures, tunable white, RGB and RGBW available upon request.

ACCESSORIES



XR25-SMB Sprung steel bracket



XR25-EC Aluminium end cap

Disclaimer:

Technical data is subject to change without prior notice. The data provide represent typical values. Due to tolerances in the production of components and binning of LEDs, values for lumen output (Lm), colour temperature (CCT) and power (W/m) can vary up to 10%. Electrical and thermal variation also influences the performance characteristics of LEDs