

ML20

TRIMLESS



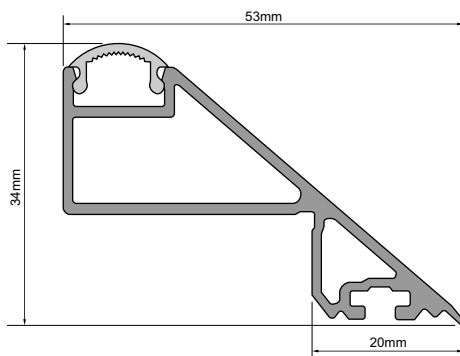
MONOLINE-ML20

An extruded aluminium profile finished in matt white, with opal diffuser. Designed to create concealed, indirect, lighting details around the perimeter of the room, producing an even wash of light with a knife-edge finish to the ceiling/wall.

Each PCB module has an on-board Integrated Controller (IC), for precise constant current control, whilst a Schottky diode provides reverse polarity protection. A range of LED options are available with a choice of Nichia, Osram or Lumileds LED, with colour temperatures from 2000K - 6500K and power outputs from 4.8W/m - 24.0W/m.

TECHNICAL

| | |
|-------------------------|-----------------------------|
| Housing: | Anodised Aluminium |
| Diffuser: | Polycarbonate UV Stabilised |
| Lengths: | 3000mm |
| Max LED Wattage: | 24w/m |
| Max PCB Width: | 12mm |
| Hot-Spot Free: | ≥112 LED/m |
| Weight: | 0.51kg/m |
| IP Rating: | IP40 |



FINISH



CATALOGUE NO.

ML20-W-3-OC

3000mm matt white with opal diffuser

ACCESSORIES



ML20-EC Linear connector