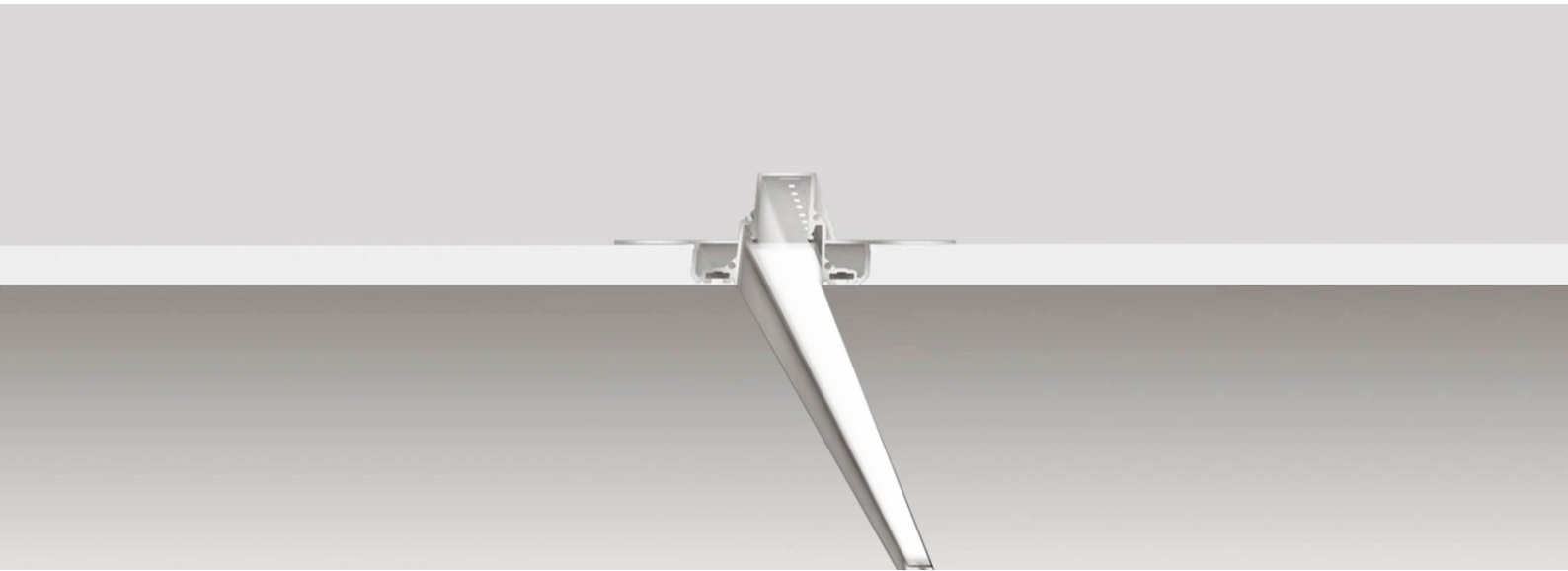


# MA235

TRIMLESS



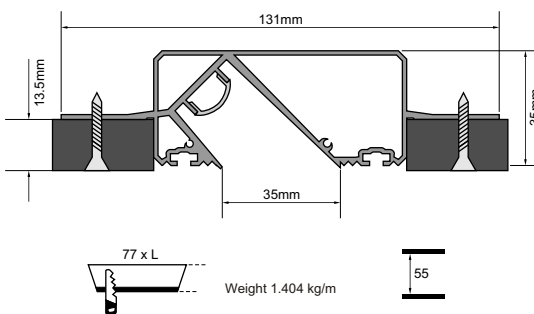
## MONOLINE-MXA235

A trimless recess mounted linear LED luminaire manufactured from extruded aluminium and finished in matt white with an opal diffuser. Designed for installation in single layer 12.5mm Gypsum plasterboard.

Each PCB module has an on-board Integrated Controller (IC), for precise constant current control, whilst a Schottky diode provides reverse polarity protection. A range of LED options are available with a choice of Nichia, Osram or Lumileds LED, with colour temperatures from 2000K - 6500K and power outputs from 4.8W/m - 24.0W/m.

## TECHNICAL

<b>Housing:</b>	Anodised Aluminium
<b>Diffuser:</b>	Polycarbonate UV Stabilised
<b>Lengths:</b>	3000mm
<b>Max LED Wattage:</b>	24w/m
<b>Max PCB Width:</b>	12mm
<b>Hot-Spot Free:</b>	≥112 LED/m
<b>Weight:</b>	1.404kg/m
<b>IP Rating:</b>	IP40



## FINISH

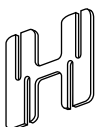


## CATALOGUE NO.

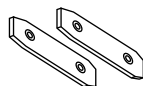
MA235-W-3-OC

3000mm matt white with opal diffuser

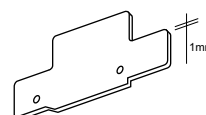
## ACCESSORIES



MA235-KEY Installation key



MA235-LC 1 connector every 3 metres



MA235-EC Aluminium end cap